

**EN ORIGINAL INSTRUCTIONS**

**IMPORTANT** - These instructions are for your safety. Please read through them thoroughly prior to handling the product and retain them for future reference.

**CAUTION: Read the instructions before using the machine!**

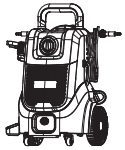


V11025\_5063022719478\_MAND4\_2425\_RP0539

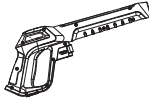
**EN Electric high pressure washer 2500 W**

**MCB1294PRW**  
5063022719478  
5063022719584  
**TTB1296PRW**  
5063022719522  
5063022719461

## EN Parts



01. x1



02. x1



03. x1



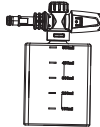
04. x1



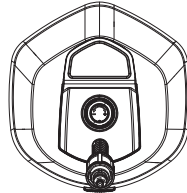
05. x1



06. x1



07. x1



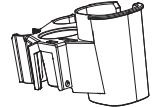
08. x1



09. x1



10. x1



11. x1



12. x1



13. x1



14. x1



15. x3  
(Ø5.1 x 1.8, x2)  
(Ø11.5 x 2.5, x1)



16. x1  
(ST3.5 x 13)



17. x2  
(ST4.8 x 16)  
(ST4.8 x 16  
with big screw  
head)



18. x1

## EN You will need



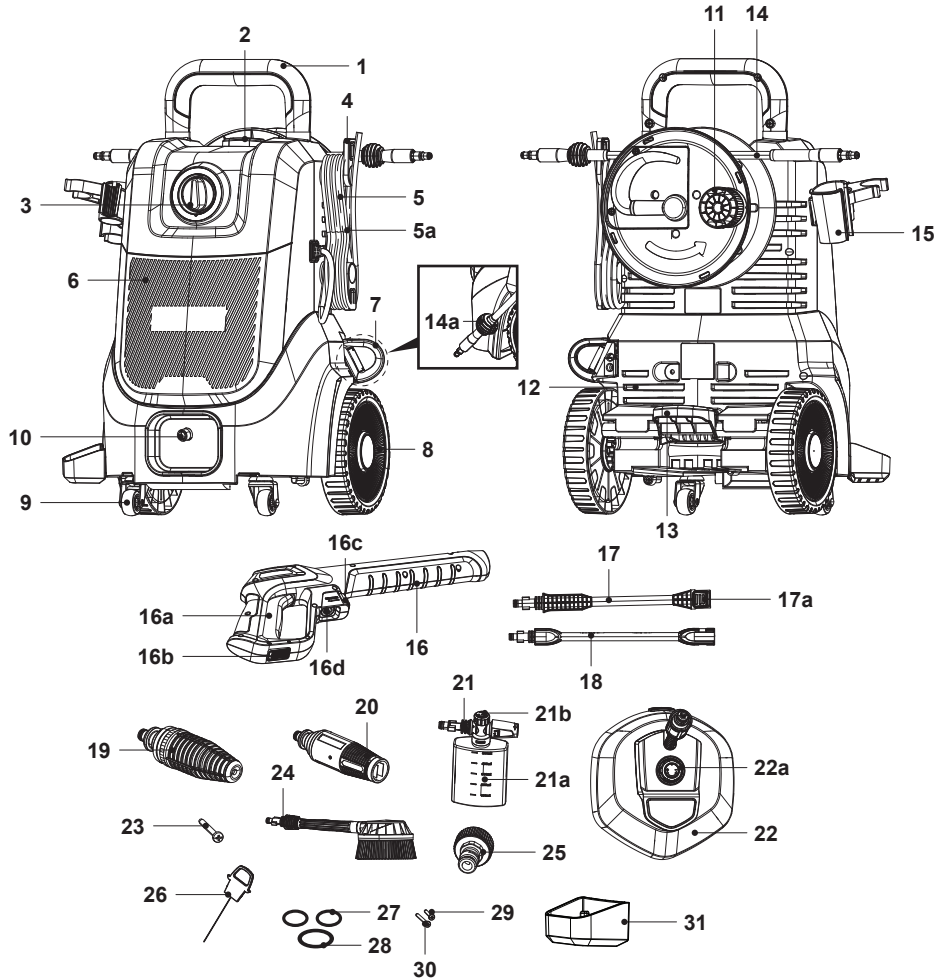
(items not supplied)

- Suitable personal protective equipment
- Suitable extension cord for outdoor use
- Garden hose with coupling and filter
- Suitable detergent
- Suitable cross-head screwdriver

## EN Contents

<b>EN</b>	
<b>Product description</b>	3
<b>Safety</b>	4
<b>Preparation</b>	14
<b>Assembly</b>	15
<b>Functions &amp; Settings</b>	20
<b>Use</b>	26
<b>Care &amp; maintenance</b>	29
<b>Guarantee</b>	35
<b>Declaration of conformity</b>	37

# EN Product description



- 1. Transport handle
- 2. Handle lock button
- 3. On/off rotary switch (I/O)
- 4. Cord anchor (x2)
- 5. Power cord with plug
  - a. Cord clip
- 6. Motor housing
- 7. Hose guide
- 8. Rear wheel (x2)
- 9. Castor (x2)
- 10. Water inlet adaptor
- 11. Hose reel knob
- 12. Air vents
- 13. Lock button for rear wheels

- 14. Pressure hose
  - a. Retaining ring
- 15. Suspension bracket
- 16. Spray gun
  - b. Trigger
  - c. Quick release lever
  - d. Hose connector
- 17. Extension lance
  - a. Lock button
- 18. Extension pole
- 19. Turbo nozzle
- 20. Variable nozzle

- 21. Detergent bottle nozzle
  - a. Bottle
  - b. Soap adjustment knob
- 22. Patio brush
  - a. Flow adjustment knob
- 23. Screw (ST4.8 x 16 with big screw head)
- 24. Rotary brush
- 25. Water inlet adaptor
- 26. Needle
- 27. O ring (Ø5.1 x 1.8) (x2)
- 28. O ring (Ø11.5 x 2.5)
- 29. Screw (ST3.5)
- 30. Screw (ST4.8 x 16)
- 31. Gun holder



## General machine safety warnings



**WARNING! READ ALL SAFETY WARNINGS, INSTRUCTIONS, ILLUSTRATIONS AND SPECIFICATIONS PROVIDED WITH THIS MACHINE.** FAILURE TO FOLLOW ALL INSTRUCTIONS LISTED BELOW MAY RESULT IN ELECTRIC SHOCK, FIRE AND/OR SERIOUS INJURY.

**SAVE ALL WARNINGS AND INSTRUCTIONS FOR FUTURE REFERENCE.**

THE TERM “MACHINE” IN THE WARNINGS REFERS TO YOUR MAINS-OPERATED (CORDED) MACHINE OR BATTERY-OPERATED (CORDLESS) MACHINE.

## Work area safety

- **Keep work area clean and well lit.** Cluttered or dark areas invite accidents.
- **Do not operate machines in explosive atmospheres, such as in the presence of flammable liquids, gases or dust.** Machines create sparks which may ignite the dust or fumes.
- **Keep children and bystanders away while operating a machine.** Distractions can cause you to lose control.

## Electrical safety

- **Machine plugs must match the outlet. Never modify the plug in any way. Do not use any adapter plugs with earthed (grounded) machines.** Unmodified plugs and matching outlets will reduce risk of electric shock.

- **Avoid body contact with earthed or grounded surfaces, such as pipes, radiators, ranges and refrigerators.** There is an increased risk of electric shock if your body is earthed or grounded.
- **Do not abuse the cord. Never use the cord for carrying, pulling or unplugging the machine. Keep cord away from heat, oil, sharp edges or moving parts.** Damaged or entangled cords increase the risk of electric shock.
- **When operating a machine outdoors, use an extension cord suitable for outdoor use.** Use of a cord suitable for outdoor use reduces the risk of electric shock.
- **If operating a machine in a damp location is unavoidable, use a residual current device (RCD) protected supply.** Use of an RCD reduces the risk of electric shock.

## **Additional safety warnings for high pressure washer:**

- This machine can be used by people with reduced physical, sensory or mental capabilities or lack of experience and knowledge if they have been given supervision or instruction concerning use of the machine in a safe way and understand the hazards involved.
- Machines shall not be used by children.
- Children should be supervised to ensure that they do not play with the machine.
- Regularly check the power cord for damage. If the supply cord is damaged, it must be replaced by the manufacturer, its service agent or similarly qualified persons in order to avoid a hazard.
- The plug must be plugged into a matching outlet that is properly installed and grounded in accordance with all local codes and ordinances; Use only 3-wire extension cords that have 3-pronged grounding type plugs and matching 3-conductor receptacles that accept the machine's plug.
- Wear appropriate Personnel Protection Equipment (PPE) while operation e.g. safety boots, safety gloves, safety helmets with visors, hearing protection etc.



**WARNING!** INADEQUATE EXTENSION CORDS CAN BE DANGEROUS. IF AN EXTENSION CORD IS USED, IT SHALL BE SUITABLE FOR OUTDOOR USE, AND THE CONNECTION HAS TO BE KEPT DRY AND OFF THE GROUND. IT IS RECOMMENDED THAT THIS IS ACCOMPLISHED BY MEANS OF A CORD REEL WHICH KEEPS THE SOCKET AT LEAST 60 MM ABOVE THE GROUND.



**WARNING!** REMOVE THE PLUG FROM THE SOCKET-OUTLET AND DISCONNECTED FROM THE POWER SOURCE DURING CLEANING OR MAINTENANCE AND WHEN REPLACING PARTS OR CONVERTING THE MACHINE TO ANOTHER FUNCTION.

- Do not touch plug or outlet with wet hands. The electric supply connection shall be made by a qualified electrician and comply with IEC 60364-1. It is recommended that the electric supply to this machine should include either a residual current device that will interrupt the supply if the leakage current to earth exceeds 30 mA for 30 ms or a device that will prove the earth circuit.



**WARNING!** ALWAYS SWITCH OFF THE MAINS DISCONNECTING SWITCH WHEN LEAVING THE MACHINE UNATTENDED.

- Never carry your pressure washer by the cord. Do not pull on the cord to disconnect from the power outlet.



**WARNING!** DURING USE OF HIGH PRESSURE CLEANERS, AEROSOLS MAY BE FORMED. INHALATION OF AEROSOLS CAN BE HAZARDOUS TO HEALTH.



**WARNING!** HIGH PRESSURE INJECTION INJURIES ARE CONSIDERED TO BE MEDICAL EMERGENCIES. IN THE EVENT OF A HIGH PRESSURE INJECTION INJURY OCCURRING, SEEK MEDICAL ADVICE IMMEDIATELY.



**WARNING!** IT IS PROHIBITED TO USE PRESSURE WASHERS ON MATERIALS CONTAINING ASBESTOS (CEMENT SHEET ROOFS, FENCES, WALLS ETC.). LARGE NUMBERS OF ASBESTOS FIBRES MAY BE RELEASED INTO THE AIR, POSING A SERIOUS HEALTH HAZARD. IF UNSURE ABOUT THE MATERIALS YOU ARE SPRAYING, IT IS RECOMMENDED THAT YOU CONTACT YOUR LOCAL COUNCIL OR GOVERNMENT AUTHORITY.



**WARNING!** HIGH PRESSURE CLEANERS SHALL NOT BE USED BY CHILDREN OR UNTRAINED PERSONNEL.

- Improper control of gun / lance can result in injuries to self, others and property damage. Reactive force from the spray can result in gun / lance movement, potentially causing the operator to slip, fall or misdirect the spray.



**WARNING!** BECOME FAMILIAR WITH THE OPERATION AND CONTROLS OF THE PRESSURE WASHER. DO NOT USE THE APPLIANCE IF A SUPPLY CORD OR IMPORTANT PARTS OF THE APPLIANCE ARE DAMAGED, E.G. SAFETY DEVICES, HIGH PRESSURE HOSES AND TRIGGER GUN.

- Never modify or remove the safety features of this appliance. Do not operate the appliance with missing, broken or unauthorized parts.
- Never leave lance unattended while the appliance is running.
- Never tie knots or kink the high-pressure hose as damage could result.
- Keep the work area free of obstacles.
- Stand on stable surface and grip gun / lance firmly with both hands. High pressure may cause objects to rebound. If necessary, wear suitable personnel protective equipment such as safety goggles.
- Vehicle tyres / tyre valves may only be cleaned from a minimum distance of 30 cm in order to avoid damages by the high-pressure jet. The first indication of damage is the discoloration of the tyre. Damaged vehicle tyres / tyre valves are dangerous to life.



**WARNING! RISK OF EXPLOSION – DO NOT SPRAY FLAMMABLE LIQUIDS, SUCH AS GASOLINE, FUEL OIL, KEROSENE, SOLVENTS OR THINNERS. FAILURE TO FOLLOW TO THIS WARNING CAN RESULT IN SERIOUS PERSONAL INJURY, DEATH AND/OR PROPERTY DAMAGE.**



**WARNING! THIS MACHINE HAS BEEN DESIGNED FOR USE WITH THE CLEANING AGENT SUPPLIED OR RECOMMENDED BY THE MANUFACTURER. THE USE OF OTHER CLEANING AGENTS OR CHEMICALS MAY ADVERSELY AFFECT THE SAFETY OF THE MACHINE.**



**WARNING! DO NOT USE THE APPLIANCE WITHIN RANGE OF PERSONS UNLESS THEY WEAR PROTECTIVE CLOTHING.**



**WARNING!** HIGH PRESSURE JETS CAN BE DANGEROUS IF SUBJECT TO MISUSE. THE JET MUST NOT BE DIRECTED AT PERSONS, ANIMALS, LIVE ELECTRICAL EQUIPMENT OR THE MACHINE ITSELF. DO NOT DIRECT THE JET AGAINST YOURSELF OR OTHERS IN ORDER TO CLEAN CLOTHES OR FOOT-WEAR.



**WARNING!** TO ENSURE MACHINE SAFETY, USE ONLY ORIGINAL SPARE PARTS FROM THE MANUFACTURER OR APPROVED BY THE MANUFACTURER.



**WARNING!** HIGH PRESSURE HOSES, FITTINGS AND COUPLINGS ARE IMPORTANT FOR THE SAFETY OF THE MACHINE. USE ONLY HOSES, FITTINGS AND COUPLINGS RECOMMENDED BY THE MANUFACTURER.



**WARNING!** THIS MACHINE MUST NOT BE CONNECTED TO THE POTABLE WATER MAINS WITHOUT BACKFLOW PREVENTION. CHECK LOCAL AND NATIONAL PIPELINE REGULATIONS BEFORE CONNECTING THE PRODUCT TO THE POTABLE WATER MAINS. WATER THAT HAS FLOWED THROUGH A BACKFLOW PREVENTER IS CONSIDERED TO BE NON-POTABLE.



**WARNING!** DEPENDING ON THE APPLICATION, SHIELDED NOZZLES CAN BE USED FOR HIGH PRESSURE CLEANING, WHICH WILL REDUCE THE EMISSION OF HYDROUS AEROSOLS DRAMATICALLY. HOWEVER, NOT ALL APPLICATIONS ALLOW THE USE OF SUCH A DEVICE. IF SHIELDED NOZZLES ARE NOT APPLICABLE FOR THE PROTECTION AGAINST AEROSOLS, A RESPIRATORY MASK OF CLASS FFP 2 OR EQUIVALENT MAY BE NEEDED, DEPENDING ON THE CLEANING ENVIRONMENT.

## Emergency

**Familiarise yourself with the use of this machine by means of this instruction manual. Memorise the safety directions and follow them to the letter. This will help to prevent risks and hazards.**

- **Always be alert when using this machine, so that you can recognise and handle risks early.** Fast intervention can prevent serious injury and damage to property.
- **Switch the machine off and disconnect the plug from the power supply if there are malfunctions.** Have the machine checked by a qualified professional and repaired, if necessary, before you operate it again.

## Residual risks

**Even if you are operating this machine in accordance with all the safety requirements, potential risks of injury and damage remain. The following dangers can arise in connection with the structure and design of this machine:**

- Health defects resulting from vibration emission if the machine is being used over long periods of time or not adequately managed and properly maintained.






- Injuries and damage to property due to broken attachments or the sudden impact of hidden objects during use.
- Danger of injury and property damage caused by flying objects or poor machine accessories.



**WARNING! THIS PRODUCT PRODUCES AN ELECTROMAGNETIC FIELD DURING OPERATION! THIS FIELD MAY UNDER SOME CIRCUMSTANCES INTERFERE WITH ACTIVE OR PASSIVE MEDICAL IMPLANTS! TO REDUCE THE RISK OF SERIOUS OR FATAL INJURY, WE RECOMMEND PERSONS WITH MEDICAL IMPLANTS TO CONSULT THEIR DOCTOR AND THE MEDICAL IMPLANT MANUFACTURER BEFORE OPERATING THIS PRODUCT!**

## Symbols

On the product, the rating label and within these instructions you will find among others the following symbols and abbreviations. Familiarise yourself with them to reduce hazards like personal injuries and damage to property.

V ~	Volt, (alternating voltage)	Hz	Hertz
W	Watt	l/h	Litre per hour
mm	Millimetre	m	Metre
g	Gram	kg	Kilogram
MPa	Mega Pascal, pressure unit	bar	Pressure unit
N	Newton	kWh/yr	Kilowatt hours per year
dB(A)	Decibel (A-rated)	m/s <sup>2</sup>	Metres per second squared
	Lock / to tighten or secure.		Unlock / to loosen.
	Read the instruction manual.		
	Note / Remark.		Caution / Warning.
yyWxx	Manufacturing date code; year of manufacturing (20yy) and week of manufacturing (Wxx).		
IPX5	Protected against water jets.		



Always wear ear protection.



Always wear eye protection.



Wear a dust mask.



Wear protective gloves.



Wear protective, slip-resistant footwear.



Wear tight-fitting protective clothes.



Switch the machine off and disconnect it from the power supply before assembly, cleaning, adjustments, maintenance, storage and transportation.



Remove plug from the mains immediately if the cable or extension cord is entangled, damaged or cut. **DON'T TOUCH THE CORD BEFORE DISCONNECTING THE SUPPLY.**



Objects thrown by the machine could hit the user or other bystanders. Always ensure that other people and pets remain at a safe distance from the machine when it is in operation. In general, children must not come near the area where the machine is.



This machine is not suitable for connection to the potable water mains.



Do not direct the water jet at persons, animals, live electrical equipment or the product itself.



This product is classified as protection class I and must be connected to a protective ground during operation.



Guaranteed sound power level value in 92 dB(A).



WEEE symbol. Waste electrical products should not be disposed of with household waste. Please recycle where facilities exist. Check with your Local Authority or local store for recycling advice.



The product complies with the applicable European directives and an evaluation method of conformity for these directives was done.

# Technical specifications

## General

> Rated voltage, frequency	: 230-240 V~, 50 Hz
> Rated power input	: 2500 W
> Rated pressure $P_{\text{rated}}$	: 12 MPa (120 bar)
> Allowable pressure $P_{\text{max}}$	: 18 MPa (180 bar)
> Rated flow rate $Q_{\text{rated}}$	: 450 l/h
> Max flow rate $Q_{\text{max}}$	: 540 l/h
> Max. inlet pressure $P_{\text{IN MAX}}$	: 1 MPa (10 bar)
> Max. water temperature	: 50 °C
> Annual energy consumption	: 50 kWh/yr
> Kickback force at handle	: < 20 N
> Protection class	: I / ⊕
> Degree of protection	: IPX5
> Weight	: approx. 24.25 kg (net) approx. 27.5 kg (gross)
> Length of pressure hose	: approx. 10 m
> Length of power cord	: approx. 5 m
> Dimensions	: approx. 380 x 360 x (655-880) mm
> Maximum permissible system impedance $Z_{\text{max}}$	: 0.394 ohm

## Sound values

> Sound pressure level $L_{\text{pA}}$	: 90.7 dB(A)
> Uncertainty $K_{\text{pA}}$	: 3 dB(A)
> Measured sound power level $L_{\text{WA}}$	: 91.5 dB(A)
> Uncertainty $K_{\text{WA}}$	: 3 dB(A)
> Guaranteed sound power level $L_{\text{WA}}$ (acc. to 2000/14/EC amended by 2005/88/EC)	: 92 dB(A)

## Hand arm vibration values

> Handle $a_{\text{h,w}}$	: 2.6 m/s <sup>2</sup>
> Uncertainty $K$	: 1.5 m/s <sup>2</sup>

The sound values have been determined according to noise test code given in EN ISO 3744:1955.

The sound intensity level for the operator may exceed 80 dB(A) and ear protection measures are necessary.

The declared vibration total values and the declared noise emission values have been measured in accordance with a standard test method (ISO 3744:2010, EN 60335-2-79) and may be used for comparing one product with another. They may also be used in a preliminary assessment of exposure.



**WARNING!** THE VIBRATION AND NOISE EMISSION DURING ACTUAL USE OF THE MACHINE CAN DIFFER FROM THE DECLARED TOTAL VALUE DEPENDING ON THE WAYS IN WHICH THE MACHINE IS USED ESPECIALLY WHAT KIND OF WORKPIECE IS PROCESSED.

THE NEED TO IDENTIFY SAFETY MEASURES TO PROTECT THE OPERATOR THAT ARE BASED ON AN ESTIMATION OF EXPOSURE IN THE ACTUAL CONDITIONS OF USE (TAKING ACCOUNT OF ALL PARTS OF THE OPERATING CYCLE SUCH AS THE TIMES WHEN THE MACHINE IS SWITCHED OFF AND WHEN IT IS RUNNING IDLE IN ADDITION TO THE TRIGGER TIME).

## Rating label explanation

**MCB1294PRW = Model number**

MC = **MAC Allister** (brand name)

B = Voltage (230-240 V~)

1294 = Sequential code

PRW = High pressure washer

**TTB1296PRW = Model number**

TT = **TITAN** (brand name)

B = Voltage (230-240 V~)

1296 = Sequential code

PRW = High pressure washer

## EN Preparation

### Unpacking

1. Unpack all parts and lay them on a flat, stable surface.
2. Remove all packing materials and shipping devices if applicable.
3. Make sure the delivery contents are complete and free of any damage. If you find that parts are missing or show damage do not use the machine but contact your dealer. Using an incomplete or damaged machine represents a hazard to people and property.
4. Ensure that you have all the accessories and tools needed for assembly and operation. This also includes suitable personal protective equipment.



**WARNING!** THE MACHINE AND THE PACKAGING ARE NOT CHILDREN'S TOYS! CHILDREN MUST NOT PLAY WITH PLASTIC BAGS, SHEETS AND SMALL PARTS! THERE IS A DANGER OF CHOKING AND SUFFOCATION!

### You will need

#### (items not supplied)

Suitable personal protective equipment  
Suitable extension cord for outdoor use  
Garden hose with coupling and filter  
Suitable detergent  
Suitable cross-head screwdriver

#### (items supplied)

Pressure hose (14)  
Spray gun (16)  
Extension lance (17)  
Extension pole (18)  
Turbo nozzle (19)  
Variable nozzle (20)  
Detergent bottle nozzle (21)  
Patio brush (22)  
Screw (ST4.8 x 16 with big screw head) (23)  
Rotary brush (24)  
Water inlet adaptor (25)  
Needle (26)  
O ring (Ø5.1 x 1.8) (x2) (27)  
O ring (Ø11.5 x 2.5) (28)  
Screw (ST3.5 x 13) (29)  
Screw (ST4.8 x 16) (30)  
Gun holder (31)



**NOTE:** The accessories required depend on the intended application. Ask your dealer for advice.



**WARNING!** THE MACHINE MUST BE FULLY ASSEMBLED BEFORE OPERATION! DO NOT USE A MACHINE THAT IS ONLY PARTLY ASSEMBLED OR ASSEMBLED WITH DAMAGED PARTS!



FOLLOW THE ASSEMBLY INSTRUCTIONS STEP-BY-STEP AND USE THE PICTURES PROVIDED AS A VISUAL GUIDE TO EASILY ASSEMBLE THE MACHINE!

BEFORE USING THE MACHINE, FAMILIARISE YOURSELF WITH THE OPERATING FEATURES READ THE ENTIRE INSTRUCTION MANUAL PAYING PARTICULAR ATTENTION TO THE SAFETY RULES AND OPERATING PROCEDURES.

DO NOT CONNECT THE MACHINE TO POWER SUPPLY BEFORE ASSEMBLY.

### Suspension plate

1. Slide the suspension bracket (15) onto its rest and align the mounting hole, then use a suitable cross-head screwdriver (not supplied) to secure the connection with the screw (ST3.5 x 13) (29) (Fig. 1a).

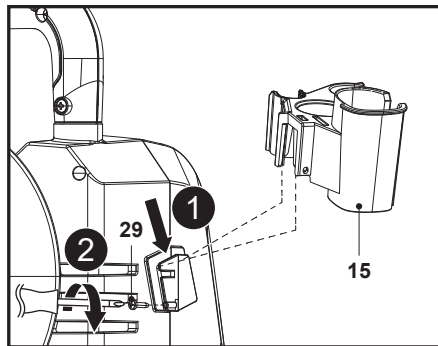


Fig. 1a

2. Press down to align with the U-shaped groove at the bottom of the housing. (Fig. 1b)

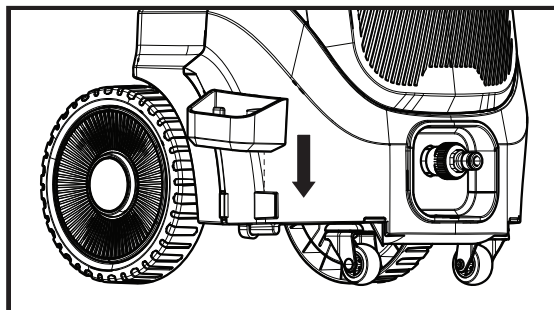


Fig. 1b

## Hose guide

Align the mounting hole on the hose guide (7) with its rest on the machine, then use a suitable cross-head screwdriver (not supplied) to secure the connection with the screw (ST4.8 x 16 with big screw head) (23) (Fig. 2, steps 1, 2).

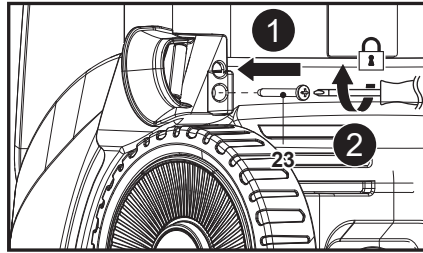


Fig. 2

## Hose reel

The hose reel with pressure hose (14) has been pre-assembled on the machine at plant.

1. Align the mounting hole on the hose reel knob (11) with its rest on the machine, then use a suitable cross-head screwdriver (not supplied) to secure the connection with the screw (ST4.8 x 16) (30) (Fig. 3, steps 1, 2).
2. Guide the pressure hose (14) through the hose guide (7), then attach the retaining ring (14a) at the tip (Fig. 4, steps 1, 2).

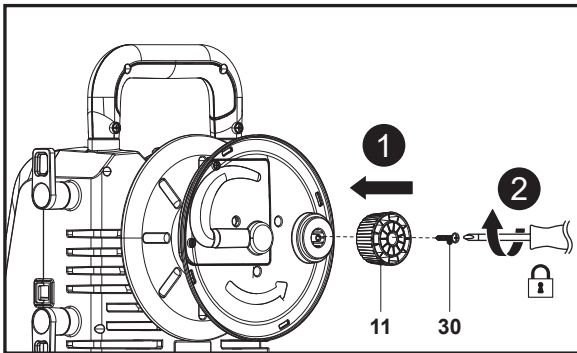


Fig. 3

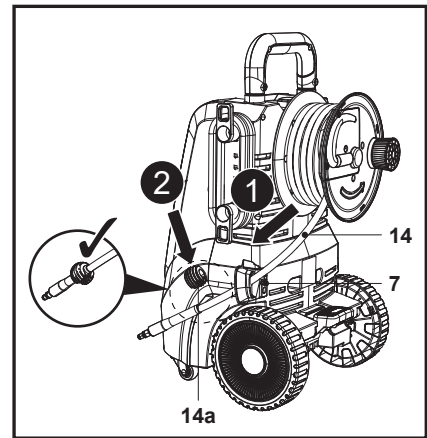


Fig. 4

## Connecting / disconnecting the spray gun accessories

1. Align and insert the extension lance (17) into the socket of the spray gun (16) (Fig. 5, step 1).
2. Push and turn the extension lance (17) clockwise onto the spray gun (16) until hand tight to lock it in place (Fig. 5, step 2).
3. Align the two nozzle taps with the slots of the extension lance (17), then insert the turbo nozzle (19) or variable nozzle (20) until the end (Fig. 5, step 3).
4. Align the two taps of detergent bottle nozzle (21) or rotary brush (24) with the spray gun (16), then push and turn the detergent bottle nozzle (21) or rotary brush (24) clockwise onto the spray gun (16) until hand tight to lock it in place.
5. You can assemble the patio brush (22) on the extension lance (17), then assemble the combination directly onto the spray gun (16) or through the extension pole (18).

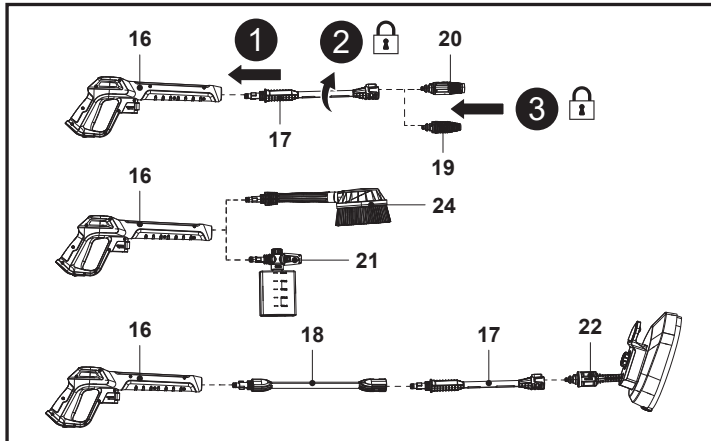


Fig. 5



**NOTE:** When two components are connected correctly, they cannot be separated by directly pulling them out. All spray gun accessories must be inserted into the spray gun (16) for proper use.

6. To disconnect the nozzle, press the lock button (17a) and keep it in place, then pull the assembled nozzle out (Fig. 6, steps 1, 2). Reinstall a required nozzle.
7. To disconnect the extension lance (17), push and turn it counterclockwise to remove it (Fig. 6, steps 3, 4, 5).
8. To disconnect the detergent bottle nozzle (21), rotary brush (24) or the extension pole (18) from spray gun (16), push and turn it counterclockwise to remove it. Reinstall a required spray gun accessory.

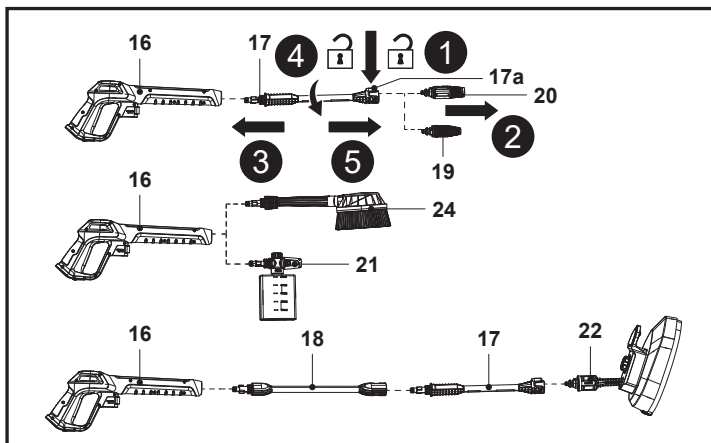


Fig. 6

## Connecting / disconnecting the pressure hose

1. Gently tug on the pressure hose (14) to pull it out. We suggest fully unwinding the pressure hose (14) before operation.
2. Push the tip of the pressure hose (14) into the hose connector (16d) on the spray gun (16) until the end with a click (Fig. 7).

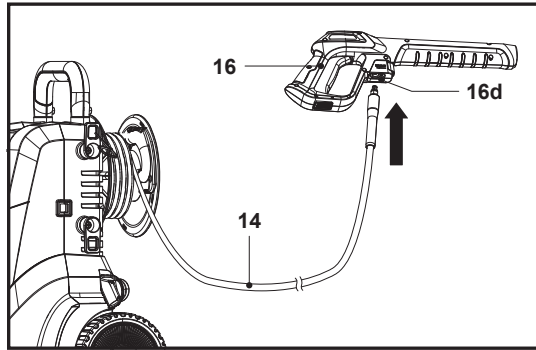


Fig. 7



**WARNING! NEVER TIE KNOTS OR KINK THE PRESSURE HOSE (14) AS DAMAGE COULD RESULT.**

3. To disconnect the pressure hose (14) from the spray gun (16), push the quick release lever (16c) towards the pressure hose (14) and hold it in place, then pull out the pressure hose (14) (Fig. 8, steps 1, 2).

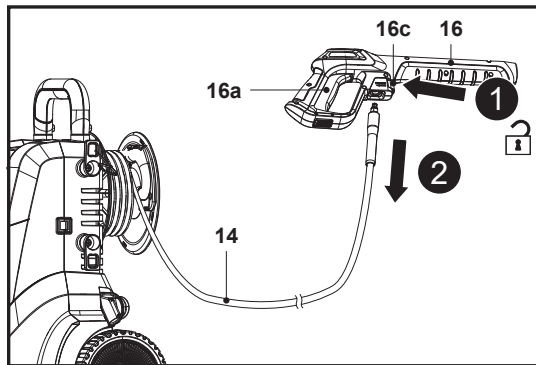


Fig. 8



**WARNING! PRESSURED WATER. SHUT OFF WATER SUPPLY, TURN OFF THE MACHINE AND SQUEEZE THE SPRAY GUN TRIGGER (16A) TO RELEASE THE PRESSURE BEFORE DISCONNECTING THE PRESSURE HOSE (14).**

## Connecting the water inlet adaptor

Align and screw the water inlet adaptor (25) onto the water inlet connector (10) in front of the machine (Fig. 9, steps 1, 2).

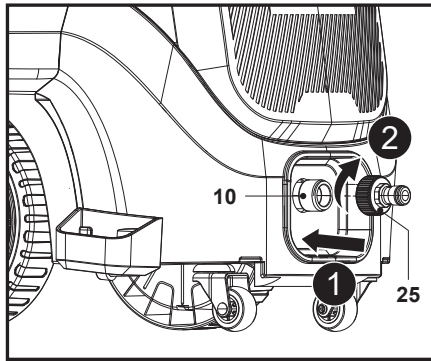


Fig. 9



**NOTE:** The water inlet connector (10) is fitted with a mesh filter screen. This filter should be in place to prevent impurities in the water source from entering the machine and damaging the pump inside the machine.

## Connecting the water supply

This pressure washer requires a pressurised water source with a maximum pressure of 1 MPa (145psi). It is recommended that a reinforced garden hose (with minimum diameter of 12 mm) is used for the water inlet connection. It cannot be used with a bucket and siphon.

1. Run water through your garden hose (not supplied) to remove any foreign matter.
2. Attach garden hose to the water inlet adaptor (25) on the water inlet connector (10) of the machine (Fig. 10, step 1). Always use a standard coupling for water inlet. The hose length cannot be greater than 8 m in length for proper operation.



**NOTE:** If any filter is fitted at the water pipe connection to prevent any debris from entering the pump. Inspect and clean it before use as insufficient water supply could damage the pump.

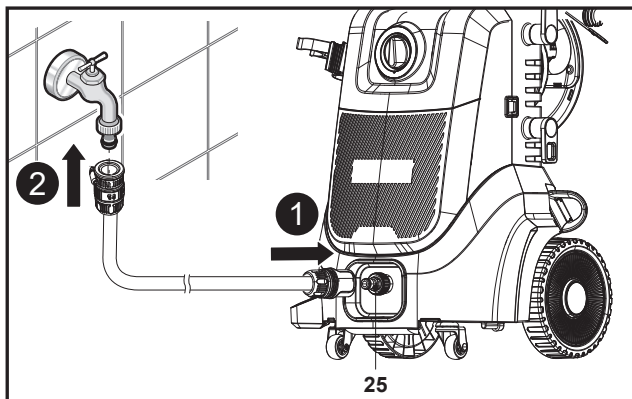


Fig. 10

3. Connect the other end of garden hose to a water supply (Fig. 10, step 2).



**WARNING!** THIS MACHINE IS NOT SUITABLE FOR CONNECTION TO THE POTABLE WATER MAINS.



OBSERVE THE REGULATIONS OF YOUR LOCAL UTILITY COMPANY WHEN CONNECTING THE PRODUCT TO A WATER SUPPLY LINE! IT IS PROHIBITED TO CONNECT THIS MACHINE TO THE DRINKING WATER FACILITY WITHOUT A BACKFLOW PREVENTER WHICH CORRESPONDS TO EN 12729 TYPE BA OR EN 61770!

4. Pull gently on the garden hose to ensure the connection is secure.

## Connection to power supply



**NOTE:** The machine is equipped with a power cord with the length of 5 m. If an additional extension cord is required for operation, observe the technical requirements for this product when purchasing an extension cord.

The extension cord must, at the very minimum, be of type H05VV-F and have a cross-section of 2.5 mm<sup>2</sup>. The total length of the cable cord should not exceed 25 metres. The socket for the power extension cord must be water splash-proof.

Completely unwind the extension cord.

Always check the plug, socket and extension cord and make sure they are in good condition before operation.

1. Ensure that the on/off rotary switch (I/O) (3) is in the off position.
2. Fully unwarp the power cord from two cord anchors (4), then connect the plug of power cord (5) into a suitable power supply socket.



**WARNING!** CHECK THE VOLTAGE! THE VOLTAGE MUST COMPLY WITH THE INFORMATION ON THE RATING LABEL! GROUND THE MACHINE TO REDUCE LIKELIHOOD OF ELECTRIC SHOCK. ALWAYS USE THE MACHINE VIA A RESIDUAL CURRENT DEVICE (RCD) WITH A TRIPPING CURRENT OF MAX. 30 mA.

3. Your machine is now ready to be used.

---

## EN Functions & Settings

---

### Intended use

This electric pressure washer is designated with a rated power input of 2500 Watts.

The machine is intended for cleaning areas and objects outside the house, tools, vehicles and boats, if the appropriate accessories and cleaning agents are used.

Operate the machine only within the temperature range of 0 °C to 50 °C.

For safety reasons it is essential to read the entire instruction manual before first operation and to observe all the instructions therein.

This machine is intended for private domestic use only, not for any commercial trade use. It must not be used for any purposes other than those described.

## Using different nozzles

### Variable nozzle

The variable nozzle (20) will allow you to use any variety of spray patterns from a full fan spray to a direct stream spray (Jet).

Rotate the end on the nozzle clockwise for “Jet” mode, and counterclockwise for “Spray” mode (Fig. 11).

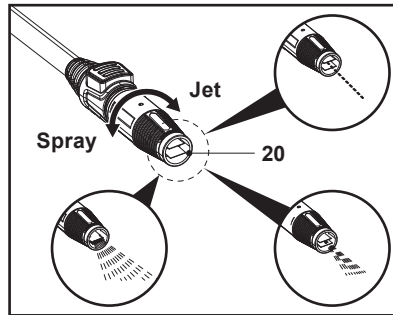


Fig. 11

- Jet mode

A water jet is discharged in a direct line to remove stubborn mud and other dirt from agricultural machinery, etc. Keep the spray lance 15-25 cm away from the cleaning surface at all times.

- Spray mode

The water is discharged in a wide fan for cleaning wood decks, walls, motorbikes and automobiles, etc. Always start using the fan spray and begin spraying from a minimum 90 cm away to avoid damaging the surface of the material you are cleaning. Always begin by spraying in a testing area free and clear of people and objects.



**NOTE:** Set the spray adjustment to “Jet” mode first of all, and then gradually move it to the “Spray” position while pulling the spray gun trigger.

**Note** that there is a chance of the water being sprayed horizontally over a wide area if this is rotated fully to the “Spray” position.

**Note** that the nozzle may be damaged if it is forced to move past the stop position when alternating between “Jet” and “Spray”.

### Turbo nozzle

The turbo nozzle (19) rotates as it sprays high-pressure jets of water for efficient washing (Fig. 12).

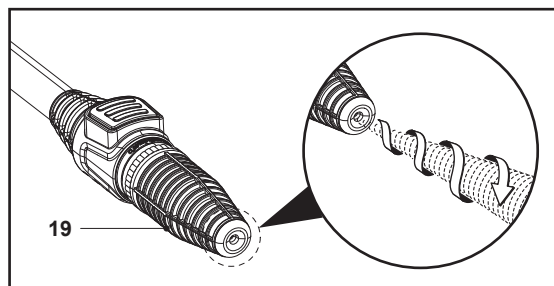


Fig. 12



## CAUTION! DO NOT TRY TO ADJUST THE TURBO NOZZLE.

AVOID USING THIS ON OBJECTS THAT ARE EASILY BROKEN OR FOR WHICH COATINGS ARE EASILY PEELED.

### Detergent bottle nozzle

The detergent bottle nozzle (21) can spray a mixture of water and detergent at low pressure.

Detergents can increase the cleaning effect of the water. Only use neutral detergents available on the open market.

Refilling and using detergent as shown in Fig. 13.

1. Hold the detergent bottle nozzle (21), then unlock and remove the bottle (21a) (Fig. 13, step 1).
2. Ensure that the water supply pipe is properly secured to the detergent nozzle (21).
3. Pour an undiluted neutral detergent into the bottle.
4. Place the detergent bottle nozzle (21) onto the bottle (21a) (Fig. 13, step 2).
5. Hold the detergent bottle nozzle (21), then lock the bottle (21a) firmly on it (Fig. 13, step 3).
6. Rotate the adjustable knob (21b) clockwise to perform high-dose soap washing, and counterclockwise to perform low-dose soap washing (Fig. 13, step 4).
7. Assemble the detergent bottle nozzle (21) directly to the spray gun (16) or assemble it through the extension pole (18).
8. The detergent bottle nozzle (21) is ready for use.

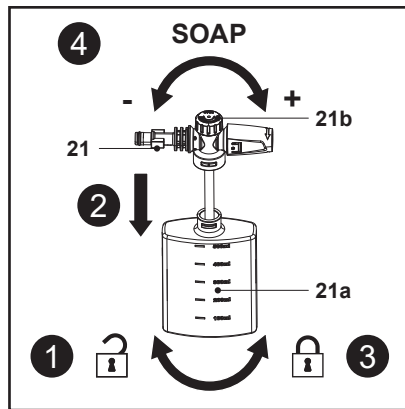


Fig. 13



**WARNING! DO NOT USE ACIDIC OR ALKALI DETERGENTS. USE ONLY NEUTRAL DETERGENTS AVAILABLE ON THE OPEN MARKET.**

USING DETERGENTS OTHER THAN NEUTRAL DETERGENTS OR CHEMICAL AGENTS MAY RESULT IN ACCIDENTS OR MALFUNCTIONS.

### Patio brush

The patio brush (22) can thoroughly remove light and heavy dirt from surfaces and is very gentle on the material.

Rotate the flow adjustable knob (22a) clockwise for higher cleaning speed, and counterclockwise for lower cleaning speed (Fig. 14).

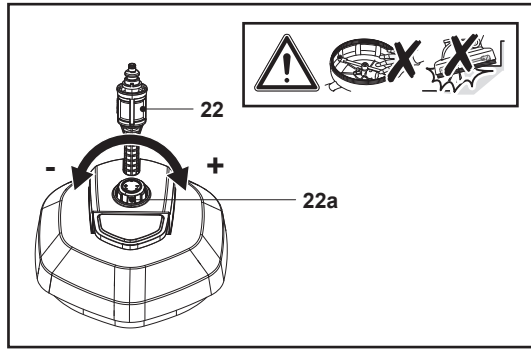


Fig. 14



**WARNING!** THE PATIO BRUSH (22) IS ONLY USED FOR SURFACE CLEANING, AND IT MAY BE DAMAGED IF USED FOR EDGE CLEANING. DON'T TOUCH ROTATING PART WHILE THE MACHINE IS RUNNING.

## Rotary brush

The rotary brush (24) can gently yet effectively clean surfaces. It's ideal for use on vehicles, windows, and patio furniture, providing a scrubbing action that is tough on dirt but gentle on surfaces by combining water pressure with brush action (Fig. 15).

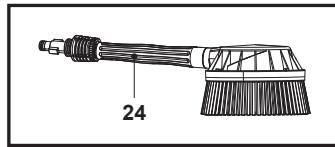


Fig. 15

## Adjusting the transport handle

1. Press and hold the handle lock button (2), then pull the transport handle (1) all the way to stop (Fig. 16).
2. Press and hold the handle lock button (2), then press the transport handle (1) to retract it (Fig. 17).

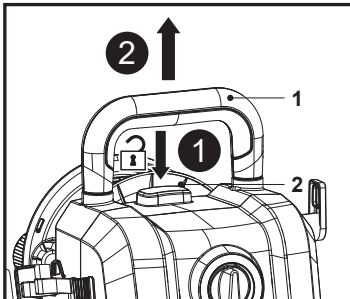


Fig. 16

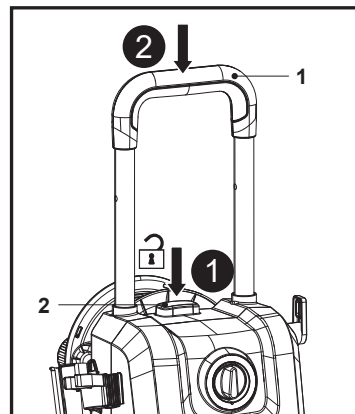


Fig. 17

## Locking / unlocking the rear wheels

Press the lock button (13) to lock the two rear wheels (8) and lift the lock button (13) to unlock the two rear wheels (8) (Fig. 18).

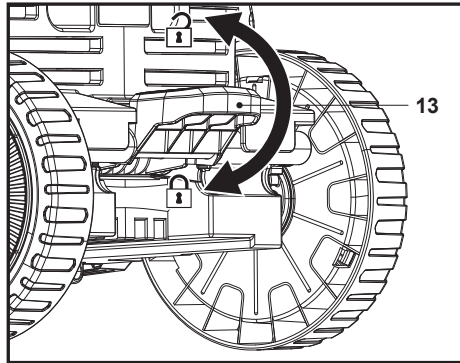


Fig. 18

## Starting



**WARNING!** TO PREVENT DAMAGE TO THE MACHINE, DO NOT ALLOW IT TO OPERATE DRY. ENSURE THAT THE PRESSURE WASHER IS PLACED ON A LEVEL AND HARD GROUND.

ALWAYS HAVE THE PRESSURE WASHER IN AN UPRIGHT POSITION DURING USE.

1. Open the water tap to let the water flow into the pump (Fig. 19, step 1).
2. Connect the power cord (5) to power supply ensuring that the on/off rotary switch (3) is in the off position (Fig. 19, step 2).
3. Pull the trigger lock (16b) at the bottom of spray gun (16) back to unlock the spray gun trigger (16a) (Fig. 19, step 3).
4. Fully press the trigger (16a) until there is a constant flow of water to clear the air from the machine and water supply hose (Fig. 19, step 4). Release the spray gun trigger (16a) afterwards.
5. Switch on the machine by rotating the on/off rotary switch (3) to "I" position (Fig. 19, step, 5).
6. Point the power gun downwards. Aim the lance towards the object to be cleaned. Make sure the working distance is proper.
7. Fully press the spray gun trigger (16a) to start the water jet.

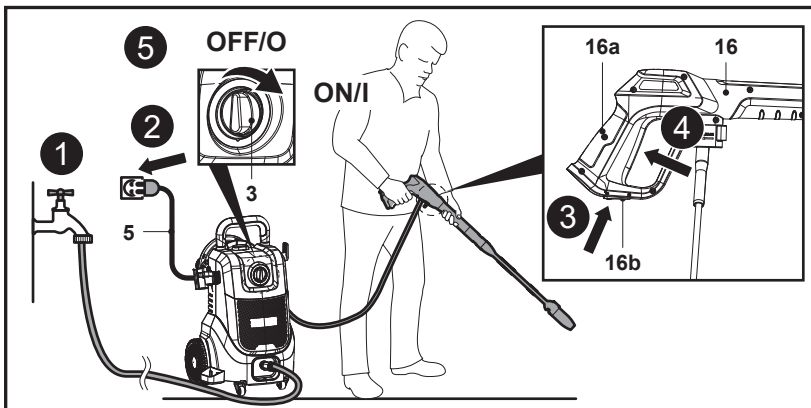


Fig. 19



**WARNING!** LONGTIME OF USING THE APPLIANCE CAN CAUSE CIRCULATION PROBLEMS IN THE HANDS ON ACCOUNT OF VIBRATIONS. IT IS NOT POSSIBLE TO SPECIFY A GENERALLY VALID OPERATION TIME, SINCE THIS DEPENDS ON SEVERAL FACTORS:

- PRONENESS TO BLOOD CIRCULATION DEFICIENCIES (COLD, NUMB FINGERS).
- LOW AMBIENT TEMPERATURE. WEAR WARM GLOVES TO PROTECT HANDS.
- A FIRM GRIP IMPEDES BLOOD CIRCULATION.
- CONTINUOUS OPERATION IS WORSE THAN AN OPERATION INTERRUPTED BY PAUSES. IN CASE OF REGULAR, LONGTIME OPERATION OF THE DEVICE AND IN CASE OF REPEATED OCCURRENCE OF THE SYMPTOMS (E.G. COLD, NUMB, FINGERS), PLEASE CONSULT A PHYSICIAN.

## Stopping



**WARNING!** WHEN TURN OFF THE MACHINE, HIGH PRESSURE STILL EXISTS INSIDE THE HOSE AND MACHINE. POINT THE GUN IN A SAFE DIRECTION AND DISCHARGE THE EXCESS PRESSURE.

NEVER DIRECT THE HIGH PRESSURE WATER STREAM AT PEOPLE OR ANIMALS.

1. Close the water tap.
2. Squeeze the spray gun trigger (16a) until water drips from the nozzle for discharge the residual pressure inside the pressure hose (14). The machine is now depressurized.
3. Release the spray gun trigger (16a).
4. Push the trigger lock (16b) at the bottom of spray gun (16) forward to lock the spray gun trigger (16a). Now the spray gun cannot be actuated accidentally.
5. Switch off the machine by rotating the on/off rotary switch (3) to “O” position



**NOTE:** Leaving the pressure washer switched on may result in dry operations, leading to malfunctions.

## Auto stop function

The machine is designed to switch off the motor when the spray gun trigger (16a) on the spray gun (16) is released.

## Safety mechanisms

The pressure washer is equipped with the following safety mechanisms to ensure safe usage.

### On/off rotary switch

This prevents the pressure washer from being unintentionally operated.

### Spray gun trigger equipped with a trigger lock

This prevents the spray gun trigger (16a) from being pulled unintentionally, thereby avoiding starting the pressure washer.

### Pressure switch

This prevents the pressure inside the pressure washer from exceeding permissible levels. Releasing the spray gun trigger (16a) causes the valve operated by water pressure to halt pump operations, which allows the pressure to be released through the water feed. The pump is started again when spray gun trigger (16a) is pressed.

### Thermal protector

This protects the motor by halting operations when abnormal heat is detected in the motor. It will start operating again when the motor cools down.

---

## EN Use

---

### General operation

1. Check the machine, its power cord and plug as well as accessories for damage before each use. Do not use the machine if it is damaged or shows wear. Take care of any problem you find or have the machine checked by qualified specialist.
2. Double check that the accessories and attachments are properly secured.
3. Always transport the machine by its transport handle (1) and rear wheels (8) and the lock button (13) must be in the unlocked state.
4. Always hold the spray gun firmly with both hands by its handle and gripping surface. Keep the handle and gripping surface dry and free from lubricant to ensure safe support.
5. Ensure that the air vents (12) are always unobstructed and clear. Clean them if necessary with a soft brush. Blocked air vents may lead to overheating and damage the machine.
6. Switch the machine off immediately and disconnect it from the power supply if you are disturbed while working by other people entering the working area. Always let the machine come to complete stop before averting.
7. Do not overwork yourself. Take regular breaks to ensure you can concentrate on the work and have full control over the machine.

### Operation



**WARNING! DO NOT OPERATE THE MACHINE WITHOUT WATER SUPPLY. THIS LEADS TO DRY RUNNING AND SUBSEQUENTLY DAMAGES THE MACHINE.**

**DO NOT OVERREACH WITH THE PRESSURE HOSE OR MOVE THE PRESSURE WASHER BY PULLING THE HOSE, THIS COULD CAUSE THE MACHINE TO BECOME UNSTABLE AND FALL OVER.**

**DO NOT KINK OR DRIVE A MOTOR VEHICLE OVER THE PRESSURE HOSE.**

**DO NOT EXPOSE THE PRESSURE HOSE TO SHARP EDGES OR CORNERS.**

**KICKBACK FORCES RESULT FROM SQUEEZING THE SPRAY GUN TRIGGER! THEREFORE, ALWAYS HOLD THE SPRAY GUN WITH BOTH HANDS!**

**PAY ATTENTION TO SAFE POSTURE! IMPROPER HANDLING CAN LEAD TO INJURIES!**



**WARNING! DO NOT OPERATE THE MACHINE WHEN THE AMBIENT TEMPERATURE IS BELOW 0 °C. WATER WILL FREEZE INSIDE THE MACHINE AND DAMAGE IT.**

1. Assemble a suitable nozzle on the spray gun depending on the application.
2. Set a required spray pattern if using the variable nozzle (20).
3. Set the distance between the nozzle and the surface to be cleaned so that the surface to be cleaned is not damaged.
4. Hold the spray gun (16) with both hands.
5. Switch on the machine by rotating the on/off rotary switch (3) to "I" position.
6. Point the power gun downwards. Aim the lance towards the object to be cleaned. Make sure the working distance is proper.
7. Fully press the spray gun trigger (16a) to start the water jet as shown in Fig. 20.
8. Move the lance forward evenly and slowly along the surface to be cleaned in a controlled manner.

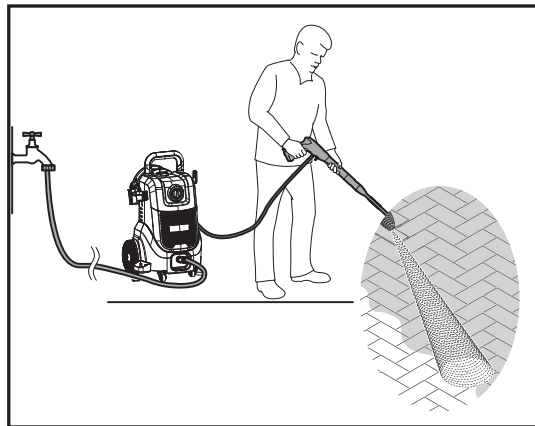


Fig. 20



**WARNING! BEWARE OF KICKBACK WHEN SQUEEZING THE SPRAY GUN TRIGGER (16A)!**



**NOTE:** Always keep a reasonable distance between the nozzle and the object to be cleaned in order to avoid damage. Ask your specialist dealer for advice if required.

9. Release the spray gun trigger (16a) to stop water jet.

## Tips

### Recommended cleaning procedure

Dissolve dirt by applying the detergent mixed with water to the surface while still dry. Allow the detergent to rest on the surface for a few minutes, but do not let the detergent dry.

When dealing with vertical surfaces work from the bottom upwards. Rinse from the bottom upward, use the high pressure jet at a minimum distance of 30 cm at 45° angle and then from the top downward.

In some cases, scrubbing with brushes is needed to remove dirt. High pressure is not always the best solution for good washing results, since it may damage some surfaces. The highest nozzle jet setting should not be used on delicate or painted parts, or on pressurised components (e. g. tyres, inflation valves, etc.).

Effective washing depends on both the pressure and volume of the water used, to the same degree.

Begin by spraying in a testing area free and clear of people and objects.

## Cleaning with detergent

When cleaning with the pressure washer, some cleaning tasks can be completed with water alone, but for most tasks it is advantageous to use a detergent. A detergent ensures a quick soaking of the dirt allowing the high pressure water to penetrate and remove the dirt more effectively.

The low pressure position provides a gentle application of detergent. This position is also recommended to rinse a surface after wax application or for other applications that require the low pressure of a garden hose. Low pressure is the equivalent of a garden hose set at the lowest output to properly apply detergent.

When cleaning a vertical surface, spray off dirt / detergent from the bottom and work in an upwards direction. Do not allow to dry

Rinse from the top and work downwards to clean the surface with the fan nozzle.

## Cooling system

The air vents, located in and around the pressure washer, must be kept clean and free of any obstructions to ensure proper air cooling of the motor during operation. Never spray water directly onto the pressure washer for cleaning



**WARNING!** PREVENT WATER FROM PENETRATING THE AIR VENTS OF THE MACHINE TO MINIMISE THE RISK OF DAMAGE TO THE MACHINE AND TO REDUCE THE RISK OF ELECTRIC SHOCK TO THE OPERATOR.

## Wood and Vinyl Decks.

Rinse deck and surrounding area with fresh water. If using detergent, connect the detergent bottle nozzle (21) to spray gun and apply to the area being cleaned at low pressure. For optimal results, reduce your work area to smaller sections and clean each section one at a time. Allow the detergent to rest on the surface for a few minutes and then rinse at high pressure.

DO NOT LET THE CLEANSER DRY Always clean from left to right and top to bottom for best results. Rinse at high pressure using the fan spray, keeping the tip of the spray nozzle at least 15-25 cm from the cleaning surface.

Maintain a further distance from the cleaning area when using a direct spray.



**CAUTION!** FOR SOFTER WOODS, INCREASE THE DISTANCE FROM THE CLEANING AREA.

## Cement Patios, Stone, and Brick

Rinse cleaning and surrounding area with fresh water. If using detergent, connect the detergent bottle nozzle (21) to spray gun and apply to the area being cleaned at low pressure. Rinse at high pressure using the fan spray in a sweeping motion keeping the tip of the spray nozzle at least 7-15 cm from the cleaning surface.

Maintain a further distance from the cleaning area when using a direct spray.

## Cars, boats, and motorcycles

Rinse cleaning and surrounding area with fresh water. If using detergent, connect the detergent bottle nozzle (21) to spray gun and apply to the area being cleaned at low pressure. To achieve the best results, clean one side at a time. Allow the detergent to rest on the surface for a few minutes, but do not let the detergent dry. Rinse at high pressure using the fan spray in a sweeping motion keeping the tip of the spray nozzle at least 20 cm from the cleaning surface.

Wipe surface dry for a polished finish.



**WARNING!** NEVER USE A JET SPRAY TO CLEAN MOTOR VEHICLES OR BOAT PAINT WORK. DO NOT CLEAN THE MOTOR / ENGINE WITH THE PRESSURE WASHER!

## Barbecue grills, power equipment, and garden tools

Rinse cleaning and surrounding area with fresh water. If using detergent, connect the detergent bottle nozzle (21) to spray gun and apply to the area being cleaned at low pressure. Allow the detergent to rest on the surface for a few minutes, but do not let the detergent dry. Rinse at high pressure using the fan spray keeping the tip of the spray nozzle at least 8 cm from the cleaning surface. Maintain a further distance from the cleaning area when using a direct spray.

## After use

1. Switch the machine off, disconnect it from the power supply and let it cool down.
2. Release the pressure inside the machine.
3. Check, clean and store the machine as described below.
4. Disconnect the garden hose from the machine and water supply mains.
5. Remove the pressure hose from the spray gun (16).
6. Drain all residual water from the pressure hose (14) and then wrap it on the hose reel by turning the hose reel knob (11).
7. Tilt the pressure washer to drain out the residual water.



**WARNING!** WATER LEFT IN THE WASHER MAY FREEZE IN THE WINTER, WHICH COULD RESULT IN DAMAGE TO THE PUMP.

---

## EN Care & maintenance

### The golden rules for care



**WARNING!** ALWAYS SWITCH THE MACHINE OFF, DISCONNECT IT FROM THE POWER SUPPLY AND LET THE MACHINE COOL DOWN BEFORE PERFORMING INSPECTION, MAINTENANCE AND CLEANING WORK!



ONLY PERFORM CARE AND MAINTENANCE WORK ACCORDING TO THESE INSTRUCTIONS! ALL FURTHER WORKS MUST BE PERFORMED BY A QUALIFIED SPECIALIST!

1. Keep the machine clean. Remove debris from it after each use and before storage.
2. Regular and proper cleaning will help ensure safe use and prolong the life of the machine.
3. Inspect the machine before each use for worn and damaged parts. Do not operate it if you find broken and worn parts.



**WARNING!** ONLY PERFORM REPAIRS AND MAINTENANCE WORK ACCORDING TO THESE INSTRUCTIONS! ALL FURTHER WORKS MUST BE PERFORMED BY A QUALIFIED SPECIALIST!

## General cleaning

1. Clean the machine with a damp cloth and pH-neutral soap. Use a brush for areas that are hard to reach.
2. In particular clean the air vents after every use with a cloth and brush.



**NOTE:** Do not use chemical, alkaline, abrasive or other aggressive detergents or disinfectants to clean this product as they might be harmful to its surfaces.

3. Check for any damage and wear. Repair damages in accordance with this instruction manual or take it to an authorised service centre before using the machine again.
4. Exchange the two O ring (Ø10) (27) on the pressure hose (14), and the O ring (Ø12) (28) on the water inlet adaptor (25) if necessary.

## Cleaning the nozzle

1. Disconnect the nozzle (19 / 20 / 22) from the extension lance (17); Disconnect the detergent bottle nozzle (21), rotary brush (24), extension lance (17), extension pole (18) from the spray gun (16) (Fig. 21).
2. Remove any dirt deposits from the nozzle hole using a needle (26) (Fig. 22).

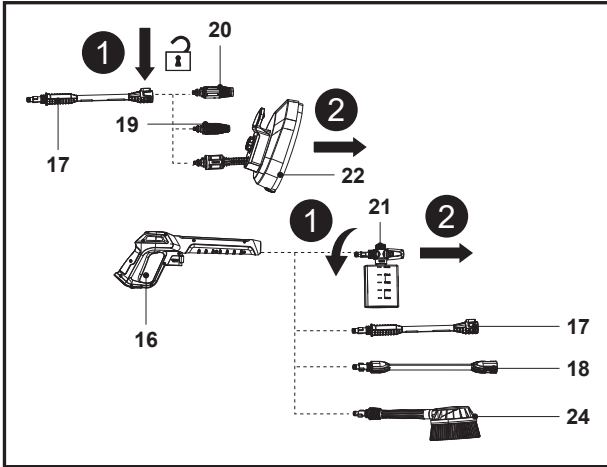


Fig. 21

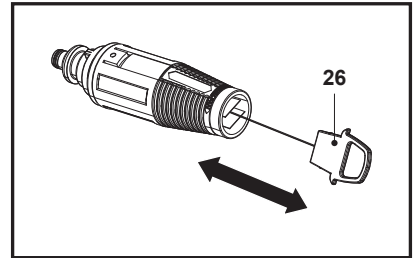


Fig. 22

## Cleaning the filter screen

1. Remove the water inlet adaptor (25) from the water inlet connector (10) (Fig. 23).
2. Remove the filter screen (10a) from water inlet connector (10) and rinse under tap water to remove any foreign objects (Fig. 24). Reinstall the filter screen (10a) afterwards.
3. Inspect the filter screen (10a) before each use and clean it if necessary.

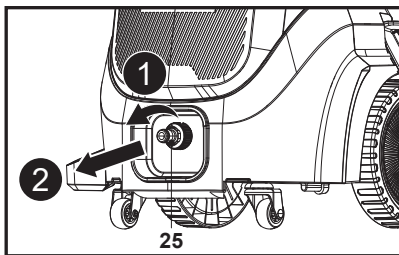


Fig. 23

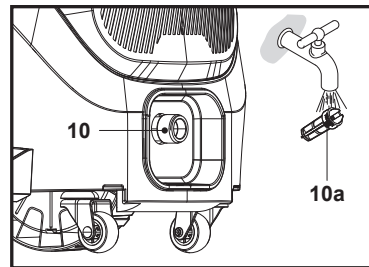


Fig. 24

## Pressure hose

After use the high pressure washer, the pressure hose (14) should be circled back. The circle direction should be the same as the original direction.



**NOTE:** Any reverse circle will destroy the pressure hose. In order to prevent reverse circle there is a U-pin fixed on the first circle of high pressure hose.

## Decalcification

From time to time - according to the nature of your tap water - calcium deposits form in the product and accessories. The strength of the deposits (and thus the frequency of decalcification) depends upon the degree of hardness of the water and how often the product is used. Check with your supplier in order to find the hardness of the water in your area.



**NOTE:** Use a mixture of water and citric acid or vinegar for decalcification. These substances are readily biodegradable and environmentally friendly!

1. Make a mixture of one part of proper vinegar and two parts hot water ( $\leq 50^{\circ}\text{C}$ ) in a suitable container, e. g. in a bowl.
2. Lay the detachable accessories in the mixture.
3. Leave the accessories in the mixture for approximately 12 hours.
4. Rinse the accessories with clear water.

## Lubrication

The high pressure washer is designed with a permanent lubrication system. Conventional oil check and oil changes are not necessary.



**NOTE:** A small amount of oil leakage is normal.

## Maintenance

Before and after each use, check the product and accessories for wear and damage. If required, exchange them for new ones as described in this instruction manual. Observe the technical requirements.

## Power cord

If the supply cord of this power tool is damaged, it must be replaced by a specially prepared supply cord available through the service organization.

## UK plug (for UK only)


If you need to replace the fitted plug, then follow the instructions below.

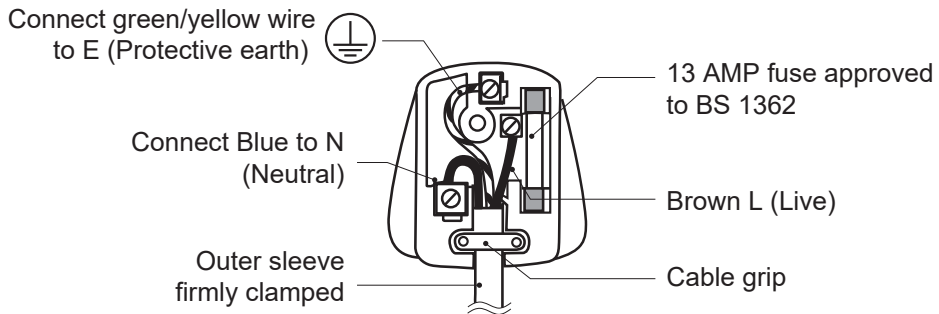
**IMPORTANT:** The wires in the mains lead are coloured in accordance as follows:

Blue - Neutral

Brown - Live

Green/Yellow - Earth

As the colours of the wire in the mains lead of this product may not correspond with the coloured marking identifying the terminals in your plug, proceed as follows. The wire, which is coloured blue, must be connected to the terminal, which is marked with N or coloured black. The wire, which is coloured brown, must be connected to the terminal, which is marked L or coloured red. The wire, which is colored green/ yellow, must be connected to the terminal, which is mark E or .



**WARNING!** NEVER CONNECT LIVE OR NEUTRAL WIRES TO THE EARTH TERMINAL OF THE PLUG, WHICH IS MARKED WITH E.

Only fit an approved 13 Amp BS 1363 or BS 1363/A plug and correctly rated 13 Amp BS 1362 fuse. If in doubt, consult a qualified electrician.



**NOTE:** If a moulded plug is fitted and has to be removed take great care in disposing of the plug and severed cable, it must be destroyed to prevent engaging into a socket.

## Spare parts / Replacement parts

The following parts of this product may be replaced by the consumer. Spare parts are available at an authorized dealer or through our customer service.

Description	Model no. or Specification
Spray gun (16)	YLG22 gun
Extension lance (17)	YLG22 lance
Extension pole (18)	Extension pole for patio brush
Turbo nozzle (19)	YLG21 turbo nozzle
Variable nozzle (20)	YLG21 variable nozzle
Detergent bottle nozzle (21)	YLG204 foam jet nozzle

Description	Model no. or Specification
Patio brush (22)	YLS12 patio brush
Rotary brush (24)	Rotary brush
Water inlet adaptor (25)	Short black water inlet

## Repair

This machine does not contain any parts that can be repaired by the consumer. Contact an authorised service centre or a similarly qualified person to have it checked and repaired.

## Storage

1. Switch the machine off and disconnect it from the power supply.
2. Clean the machine as described above.
3. Store the machine and its accessories in a dark, dry, frost-free, well-ventilated place.
4. Always store the machine in a place that is inaccessible to children. The ideal storage temperature is between 10 °C and 30 °C.
5. We recommend using the original package for storage or covering the machine with a suitable cloth or enclosure to protect it against dust.

## Transportation

1. Switch the machine off, disconnect the plug from the power supply before transporting it anywhere.
2. Wrap the power cord (5) around the two cord anchors (4) and secure it in place with a supplied cord clip (5a) (Fig. 25).
3. Reel the pressure hose (14) and store the spray gun (16), extension lance (17), detergent bottle nozzle (21) and nozzle (19 / 20) (Fig. 26).

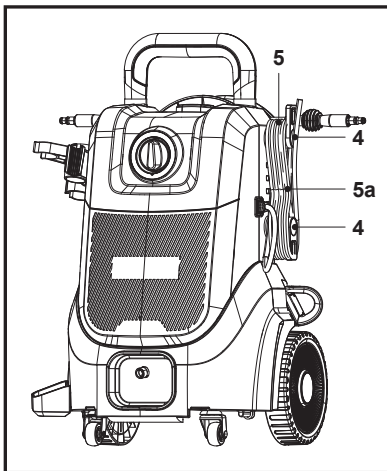


Fig. 25

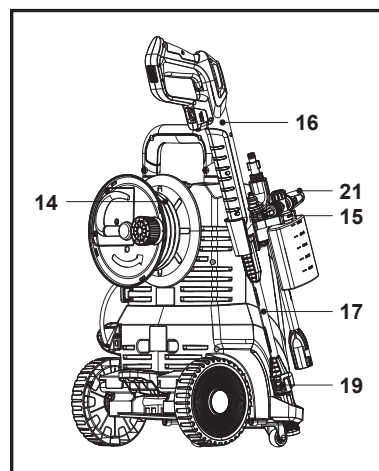


Fig. 26

4. Always transport the machine by its transport handle (1) and rear wheels (8), and the lock button (13) must be in the unlocked state.
5. Protect the machine from any heavy impact or strong vibrations which may occur during transportation in vehicles.
6. Secure the machine to prevent it from slipping or falling over, damage and injury.

## Troubleshooting

Suspected malfunctions are often due to causes that the users can fix themselves. Therefore check the product using this section. In most cases the problem can be solved quickly.



**WARNING! ONLY PERFORM THE STEPS DESCRIBED WITHIN THESE INSTRUCTIONS! ALL FURTHER INSPECTION, MAINTENANCE AND REPAIR WORK MUST BE PERFORMED BY AN AUTHORISED SERVICE CENTRE OR A SIMILARLY QUALIFIED SPECIALIST IF YOU CANNOT SOLVE THE PROBLEM YOURSELF!**

Problem	Possible cause	Solution
1. Product does not start	1.1. Not connected to power supply 1.2. Power cord or plug is defective 1.3. Other electrical defect to the product	1.1. Connect to power supply 1.2. Check by a specialist electrician 1.3. Check by a specialist electrician
2. Pump does not reach full power	2.1. Extension cord not suitable for operation with this product 2.2. Power source (e. g. generator) has too low voltage 2.3. Air vents are blocked 2.4. Nozzle is worn 2.5. Filter is clogged  2.6. Water supply pressure is low 2.7. Air is being sucked into system 2.8. Air is in pump  2.9. Variable nozzle is not positioned correctly	2.1. Use a proper extension cord 2.2. Connect to another power source  2.3. Clean the air vents 2.4. Replace nozzle 2.5. Clean the filter screen in water inlet adaptor  2.6. Turn on water supply tap fully 2.7. Check tightness of hose fittings 2.8. Switch off the machine and keep depressing and releasing the gun trigger until the water comes out in a steady flow. Switch the machine on again. 2.9. Turn variable nozzle from spray mode to jet mode
3. Pressure drops during use	3.1. Water is taken from an external water tank 3.2. The inlet water temperature is too high 3.3. Nozzle is clogged 3.4. Intake filter is dirty	3.1. Connect machine to the mains water supply 3.2. Reduce water temperature  3.3. Clean nozzle 3.4. Clean the filter screen in water inlet adaptor
4. Strong pressure fluctuations	4.1. Water supply pressure is too low 4.2. Intake filter is dirty 4.3. Air is being sucked into system	4.1. Turn on water supply tap fully 4.2. Clean the filter screen in water inlet adaptor 4.3. Check tightness of hose fittings
5. Water leakage from machine	5.1. Seal is worn	5.1. Have the seal replaced
6. Excessive vibration or noise	6.1. Water supply pressure low 6.2. Motor problems 6.3. Screws and nuts loose	6.1. Turn on water supply tap fully 6.2. Check by a specialist electrician 6.3. Tighten screws and nuts

## Recycling and disposal



This symbol is known as the 'Crossed-out Wheelie Bin Symbol'. When this symbol is marked on a product or battery, it means that it should not be disposed of with your general household waste. Some chemicals contained within electrical/electronic products or batteries can be harmful to health and the environment. Only dispose of electrical/ electronic/battery items in separate collection schemes, which cater for the recovery and recycling of materials contained within. Your co-operation is vital to ensure the success of these schemes and for the protection of the environment.

The product comes in a package that protects it against damage during shipping. Keep the package until you are sure that all parts have been delivered and the product is working properly. Recycle the package afterwards.

## Guarantee

We take special care to select high quality materials and use manufacturing techniques that allow us to create products incorporating design and durability. This product has a manufacturer's guarantee of 2 years against manufacturing defects, from the date of purchase (if bought in store) or date of delivery (if bought online), at no additional cost for normal (non-professional or commercial) household use.

To make a claim under this guarantee, you must present your proof of purchase (such as a sales receipt, purchase invoice or other evidence admissible under applicable law), please keep your proof of purchase in a safe place. For this guarantee to apply, the product you purchased must be new, it will not apply to second hand or display products. Unless stated otherwise by applicable law, any replacement product issued under this guarantee will only be guaranteed until expiry of the original period guarantee period.

This guarantee covers product failures and malfunctions provided the product was used for the purpose for which it is intended and subject to installation, cleaning, care and maintenance in accordance with the information contained in these terms and conditions, in the user manual and standard practice, provided that standard practice does not conflict with the user manual.

This guarantee does not cover defects and damage caused by normal wear and tear or damage that could be the result of improper use, faulty installation or assembly, neglect, accident, misuse, or modification of the product. Unless stated otherwise by applicable law, this guarantee will not cover, in any case, ancillary costs (shipping, movement, costs of uninstalling and reinstalling, labour etc), or direct and indirect damage.

This guarantee does not cover defects and damage caused by or resulting from:

- Normal wear and tear
- Overload, misuse or neglect
- Repairs attempted by anyone other than an authorised agent
- Cosmetic damage
- Damage caused by foreign objects, substances or accidents
- Accidental damage or modification
- Failure to follow manufacturer's guidelines
- Loss of use of the goods

If the product is defective, we will, within a reasonable time, repair, replace, refund, service or provide spare parts.

Rights under this guarantee are enforceable in the country in which you purchased this product. Guarantee related queries should be addressed to the store you purchased this product from.

The guarantee is in addition to and does not affect your statutory rights.

**IMPORTANT - RETAIN THIS INFORMATION  
FOR FUTURE REFERENCE:  
READ CAREFULLY**

# Customer care and technical helpline


## A better way to repair your tools

Kingfisher takes special care in creating high-quality garden power tools that are designed to last. But if a fault develops with your garden power tool and you need to claim under the guarantee, the Customer Care and Technical Helpline can support with technical assistance or if required, arrange a free courier collection from your home, assess your garden power tool for fault, repair it, and return it.

Deciding to repair your product rather than buying a replacement and adding to the mountain of waste is a more sustainable choice and you will be doing your bit for the environment.

### How does it work?



 **\* NOTE:** Before collection, all fuel must be removed from petrol powered machines.

### Get in touch

If you need help or more information, please contact the Customer Care and Technical Helpline:

UK 0330 678 3077

ROI 1 800 365 800

Opening hours are Monday – Friday, 8 am - 5 pm

## Availability of spare parts

Contact the customer service helpline for assistance or visit [www.kingfisherspares.com](http://www.kingfisherspares.com)

For assistance contact the customer services helpline:

UK 0330 678 3077 [uk@kingfisherservice.com](mailto:uk@kingfisherservice.com)

ROI 1 800 365 800 [eire@kingfisherservice.com](mailto:eire@kingfisherservice.com)

Further information about this product can also be found at:

[www.kingfisher.com/products](http://www.kingfisher.com/products)





(EN) EU DECLARATION OF CONFORMITY  
(FR) DÉCLARATION UE DE CONFORMITÉ  
(PL) DEKLARACJA ZGODNOŚCI UE  
(RO) DECLARAȚIA DE CONFORMITATE UE  
(ES) DECLARACIÓN UE DE CONFORMIDAD  
(PT) DECLARAÇÃO DE CONFORMIDADE UE

**Product/Produit/Produkt/Produsul/Producto/Produto**

- Electric high pressure washer 2500 W / Nettoyeur haute pression électrique 2500 W / Myjka ciśnieniowa elektryczna 2500 W / Aparat electric de spălat cu presiune de 2 500 W / Hidrolimpiadora eléctrica de 2500 W / Lavadora eléctrica de alta pressão 2500 W
- MCB1294PRW / TTB1296PRW
- SN: 000001-999999

Name and address of the manufacturer or his authorised representative:

Nom et adresse du fabricant ou de son mandataire:

Nazwa i adres producenta lub jego upoważnionego przedstawiciela:

Denumirea și adresa producătorului sau a reprezentantului său autorizat:

Nombre y dirección del fabricante o de su representante autorizado:

Nome e endereço do fabricante ou do respetivo mandatário:

Kingfisher International Products B.V.,  
Rapenburgerstraat 175E,  
1011 VM Amsterdam,  
The Netherlands

This declaration of conformity is issued under the sole responsibility of the manufacturer.

La présente déclaration de conformité est établie sous la seule responsabilité du fabricant.

Niniejsza deklaracja zgodności wydana zostaje na wyłączną odpowiedzialność producenta.

Prezenta declarație de conformitate este emisă pe răspunderea exclusivă a producătorului.

La presente declaración de conformidad se expide bajo la exclusiva responsabilidad del fabricante.

A presente declaração de conformidade é emitida sob a exclusiva responsabilidade do fabricante.

Object of the declaration/Objet de la declaration/Przedmiot deklaracji/Obiectul declarației/Objeto de la declaración/Objeto da declaração

Product/Produit/Produkt/Produsul/Producto/Produto	Model/Modèle/Model/Modelul/Modelo/Modelo	EAN
Electric high pressure washer 2500 W / Nettoyeur haute pression électrique 2500 W / Myjka ciśnieniowa elektryczna 2500 W / Aparat electric de spălat cu presiune de 2 500 W / Hidrolimpiadora eléctrica de 2500 W / Lavadora eléctrica de alta pressão 2500 W	MCB1294PRW / TTB1296PRW	5063022719478 5063022719584 5063022719522 5063022719461

The object of the declaration described above is in conformity with the relevant Union harmonisation legislation:

L'objet de la déclaration décrit ci-dessus est conforme à la législation d'harmonisation de l'Union applicable:

Wymieniony powyżej przedmiot niniejszej deklaracji jest zgodny z odpowiednimi wymaganiami unijnego prawodawstwa harmonizacyjnego:

Obiectul declarației descris mai sus este în conformitate cu legislația relevantă de armonizare a Uniunii:

El objeto de la declaración descrita anteriormente es conforme con la legislación de armonización pertinente de la Unión:

O objeto da declaração acima descrito está em conformidade com a legislação de harmonização da União aplicável:

2006/42/EC as amended	Machinery Directive
2014/30/EU as amended	Directive Electromagnetic compatibility
2011/65/EU, (EU) 2015/863 as amended	Directive Restriction of the use of certain hazardous substances in electrical and electronic equipment
2012/19/EU as amended	Waste Electrical and Electronic Equipment (WEEE)
Regulation (EC) No 1907/2006, concerning the Registration, Evaluation, Authorization and Restriction of Chemicals (REACH)	

References to the relevant harmonised standards used or references to the other technical specifications in relation to which conformity is declared:

Références des normes harmonisées pertinentes appliquées, y compris la date de celles-ci, ou des autres spécifications techniques, y compris la date de celles-ci, par rapport auxquelles la conformité est déclarée: Odwołania do odnośnych norm zharmonizowanych, które zastosowano, wraz z datą normy, lub do innych specyfikacji technicznych, wraz z datą specyfikacji, w odniesieniu do których deklarowana jest zgodność:

Trimiteri la standardele armonizate relevante folosite, inclusiv data standardului, sau trimiteri la celelalte specificații tehnice, inclusiv data specificațiilor, în legătură cu care se declară conformitatea:

Referencias a las normas armonizadas pertinentes utilizadas, incluidas las fechas de las normas, o referencias a las otras especificaciones técnicas, incluidas las fechas de las especificaciones, respecto a las cuales se declara la conformidad:

Referências às normas harmonizadas aplicáveis utilizadas, incluindo a data da norma, ou às outras especificações técnicas, incluindo a data da especificação, em relação às quais é declarada a conformidade:

EN 60335-1: 2012/A16:2023  
EN 60335-2-79: 2012  
EN 62233: 2008  
EN IEC 55014-1:2021  
EN IEC 55014-2:2021  
EN IEC 61000-3-2:2019+A1:2021+A2:2024  
EN IEC 61000-3-11:2019

Authorised signatory and technical file holder/signataire et responsable de la documentation technique autorisé/podmiot uprawniony do wystawienia i adres przechowywania dokumentacji technicznej/semnatar autorizat și deținător al dosarului tehnic/firmante autorizado y titular del expediente tecnico/signatário autorizado e detentor da ficha técnica

Kingfisher International Products B.V.,  
Rapenburgerstraat 175E,  
1011 VM Amsterdam,  
The Netherlands



David Awe  
Group Quality & Sustainability Director

: [19/08/2025]

---

**Manufacturer:**

**UK Manufacturer:**

Kingfisher International Products Limited,  
1 Paddington Square, London, W2 1GG,  
United Kingdom

**EU Manufacturer:**

Kingfisher International Products B.V.,  
Rapenburgerstraat 175E,  
1011 VM Amsterdam,  
The Netherlands

**EN** [www.diy.com](http://www.diy.com)  
[www.screwfix.com](http://www.screwfix.com)  
[www.screwfix.ie](http://www.screwfix.ie)

**To view instruction manuals online,  
visit [www.kingfisher.com/products](http://www.kingfisher.com/products)**